

UL-Recognition UL61800-5-1, CSA C22.2 No.274

While operating the mcER-L40 in USA or Canada its essential to observe the following informations

Instruction notes for electrical personnel

- In order to operate at rated current, the cross section of the connection cable shall be designed in accordance to national valid standards.
- For mating connector use only AWG 26...14
- Use 75°C copper conductors only.

Overcurrent and short-circuit protection

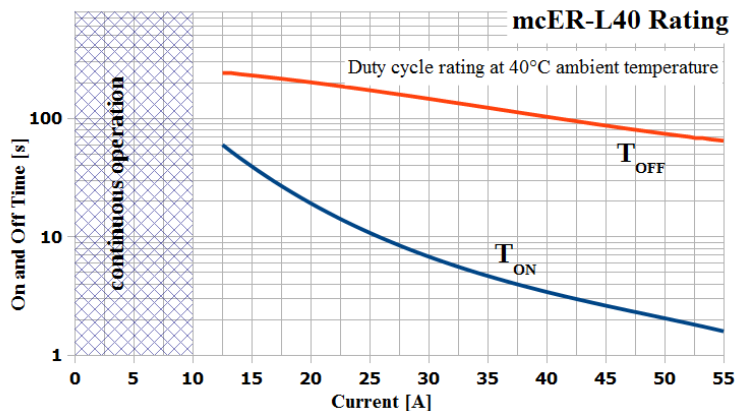
- Protected by a circuit breaker having an interrupting rating not less than 15A rms symmetrical amperes, 60V DC maximum

Electrical rating

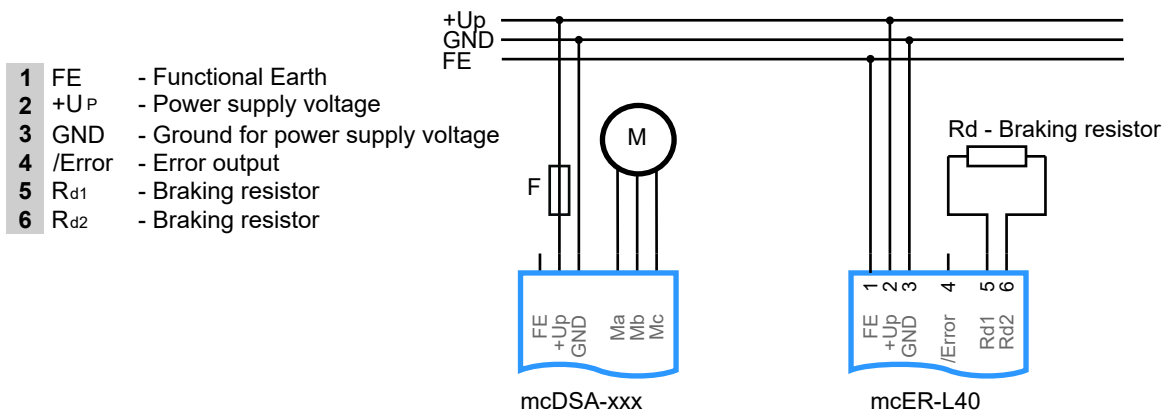
Voltage	Current	Cycle Times
Input/Output	Input/Output	T _{ON} /T _{OFF}
18-60VDC	10A	continuous
	20A	19s/200s
	30A	7s/155s
	40A	3.5s/100s
	50A	2s/75s

No. of Input/Output Phases: 1

Ambient temperature: 40°C / 104°F



General installation scheme



Other possible installation scheme can be found in User Manual.

UL-Recognition UL61800-5-1, CSA C22.2 No.274

While operating the mcER-L40 in USA or Canada its essential to observe the following informations

Instruction notes for electrical personnel

- In order to operate at rated current, the cross section of the connection cable shall be designed in accordance to national valid standards.
- For mating connector use only AWG 26...14
- Use 75°C copper conductors only.

Overcurrent and short-circuit protection

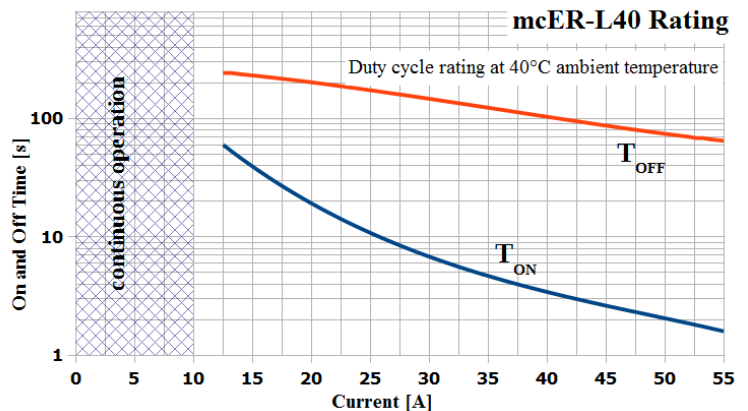
- Protected by a circuit breaker having an interrupting rating not less than 15A rms symmetrical amperes, 60V DC maximum

Electrical rating

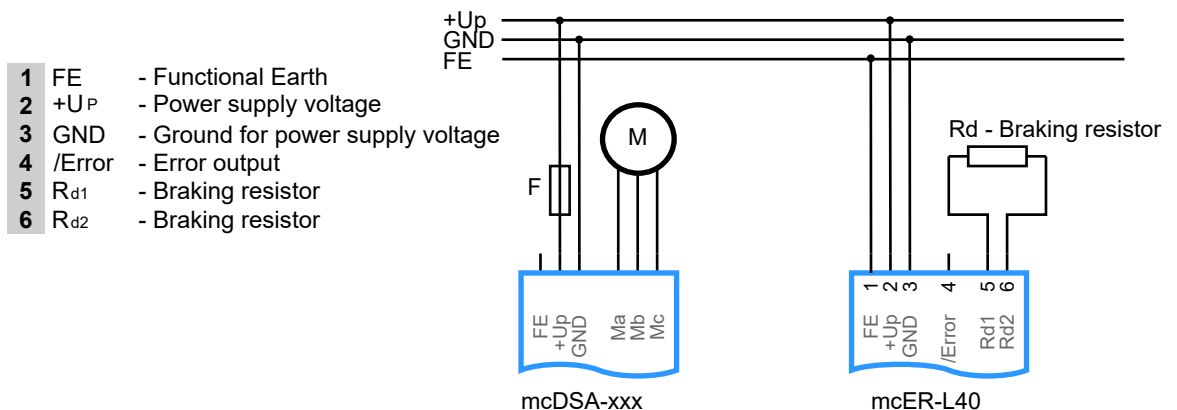
Voltage	Current	Cycle Times
Input/Output	Input/Output	T _{ON} /T _{OFF}
18-60VDC	10A	continuous
	20A	19s/200s
	30A	7s/155s
	40A	3.5s/100s
	50A	2s/75s

No. of Input/Output Phases: 1

Ambient temperature: 40°C / 104°F



General installation scheme



Other possible installation scheme can be found in User Manual.