

Instruction notes for electrical personnel



UL-Recognition (UL 61800-5-1 and CSA C22.2 No 274-13)

While operating the mcER-L60-xx in USA or Canada it is essential to observe the following information.

Ratings				
Braking Voltage	xx in V DC	mcER-L60 series has different break voltages between 18-60 Volt. The mcER-L60-“xx” number is the break voltage of these Brake Chopper. For example: mcER-L60-60 has a 60 V DC breaking voltage mcER-L60-30 has a 30 V DC breaking voltage		
Input / Output Ratings				
Circuit	Input ratings: DC Voltage Isolated Power Source			
	Input Voltage (V DC)	Input Current (A DC)	Duty Cycle	Phases
Power	18 - 60	5	continuous	1
Circuit	Output ratings:			
	Output Voltage (V DC)	Output Current (A DC)	Duty Cycle On / Off	Phases
Power	60	30	2s / 90s	1
	60	60	1s / 90s	1
external Brake Resistor				
	Resistance (Ohm)	Power (W)		
	min. 1	min. 500		



Important

General Requirements:

- Brake chopper
- Maximum Surrounding Air Temperature 55°C / 131°F
- Installation on a secondary side of an PELV isolated power supply (DVC A circuit)
- For use in pollution Degree 2 and overvoltage Category II environments only
- Multiple rated equipment (See Input / Output Ratings)



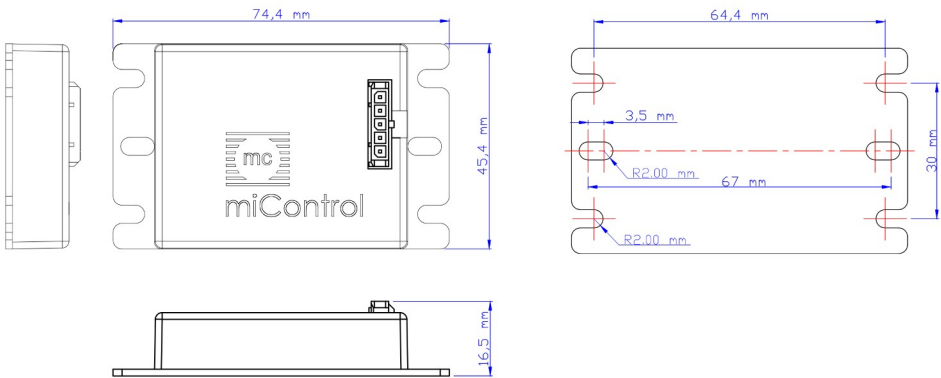
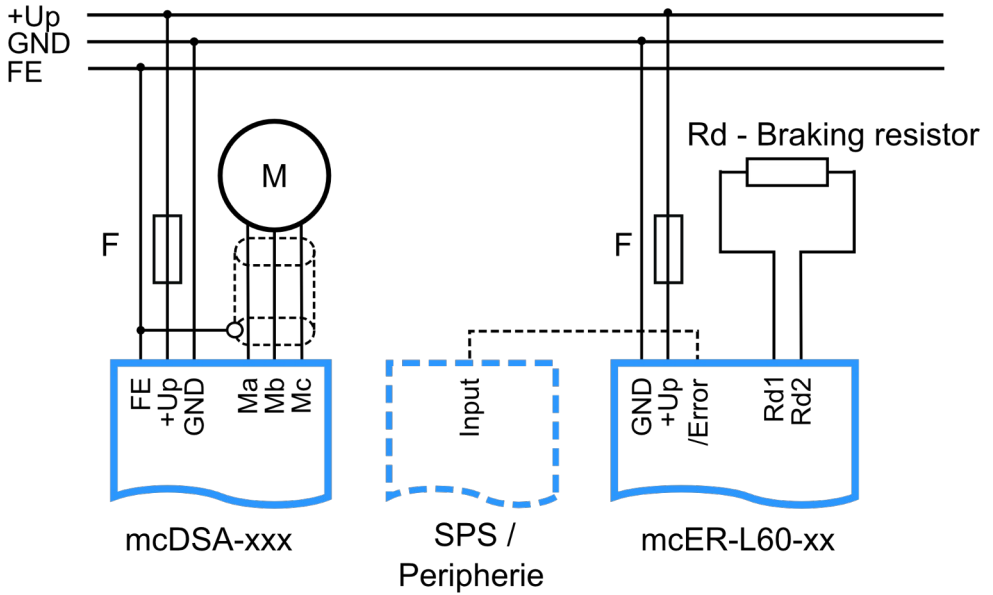
Important

Branch Circuit Protection:

listed DIVQ circuit breaker
min. 60 Vdc, max. 15 A

factory wiring terminals:

- Use 60°C/75°C copper conductors only
- X1 - AWG 22



Modul mass:

30 g