

## Instruction notes for electrical personnel

**UL-Recognition (UL 61800-5-1 and CSA C22.2 No 274-13)**

While operating the mcER-L42 in USA or Canada it is essential to observe the following information.



Input / Output Ratings				
Circuit	Input ratings: DC Voltage Isolated Power Source			
	Input Voltage (V DC)	Input Current (A DC)	Duty Cycle	Phases
Power	18 - 60	0.15	continuous	1
Circuit	Output ratings:			
	Output Voltage (V DC)	Output Current (A DC)	Duty Cycle On / Off	Phases
Power	24	24	600ms / 25s	1
	60	24	400ms / 25s	1



**Important**

### General Requirements:

- Brake chopper
- Maximum Surrounding Air Temperature 40°C / 104°F
- For use in pollution Degree 2 and overvoltage Category II environments only
- Multiple rated equipment (See Input / Output Ratings)



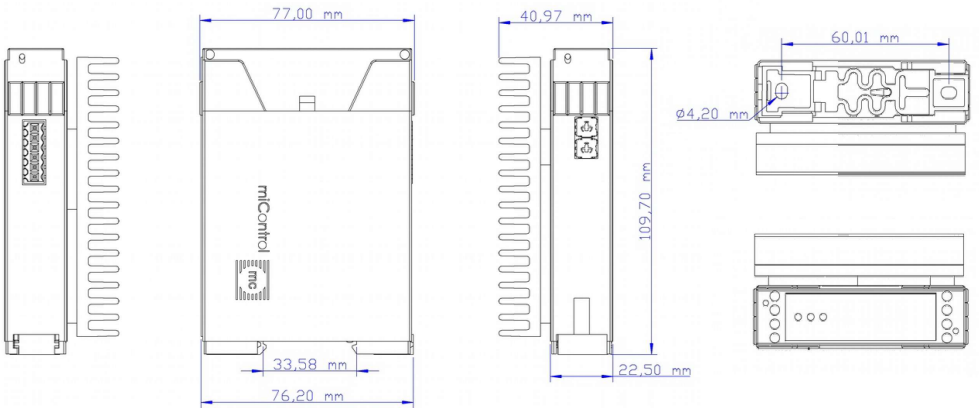
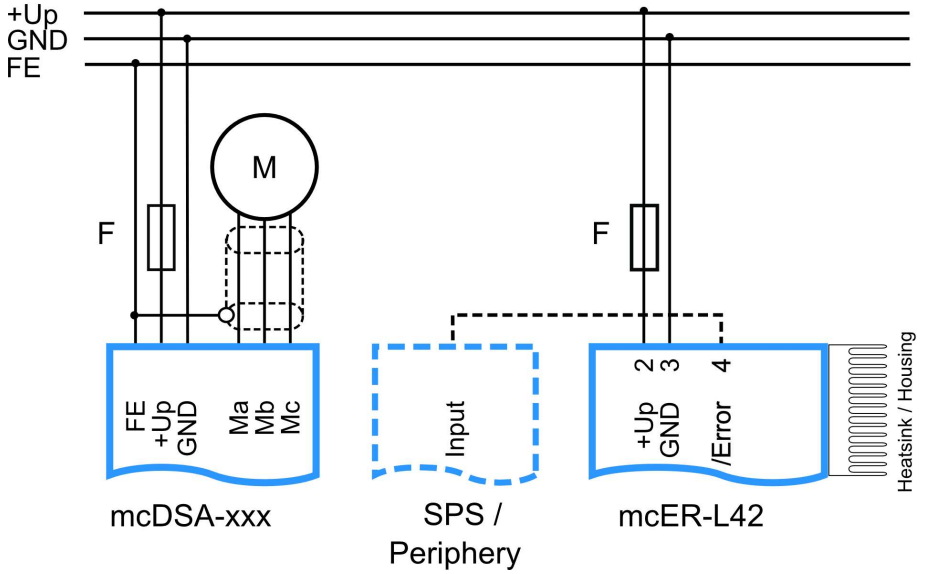
**Important**

### Branch Circuit Protection:

Protected By A Circuit Breaker having an Interrupting Rating not less than 15A rms symmetrical Amperes, 60 Volts DC maximum.

### Field wiring terminals:

- Use 60°C/75°C copper conductors only
- X1 - AWG 22



**Modul mass:**

380 g