

Instruction notes for electrical personnel



UL-Recognition (UL 61800-5-1 and CSA C22.2 No 274-13)

While operating the mcER-L60-xx-M in USA or Canada it is essential to observe the following information.

Ratings

Braking Voltage

xx in V DC

mcER-L60 series has different break voltages between 18-60 Volt.
The mcER-L60-“xx” number is the break voltage of these Brake Chopper.
For example: mcER-L60-60-M has a 60 V DC breaking voltage
mcER-L60-30-M has a 30 V DC breaking voltage

Input / Output Ratings

Input ratings: DC Voltage Isolated Power Source

Circuit

Input Voltage (V DC)

Input Current (A DC)

Duty Cycle

Phases

Power

18 - 60

7.5

continuous

1

Output ratings:

Circuit

Output Voltage (V DC)

Output Current (A DC)

Duty Cycle
On / Off

Phases

Power

60

30

2s / 90s

1

60

60

1s / 90s

1

external Brake Resistor

Resistance (Ohm)

Power (W)

min. 1

min. 500



Important

General Requirements:

- Brake chopper
- Maximum Surrounding Air Temperature 55°C / 131°F
- Installation on a secondary side of an PELV isolated power supply (DVC A circuit)
- For use in pollution Degree 2 and overvoltage Category II environments only
- Multiple rated equipment (See Input / Output Ratings)



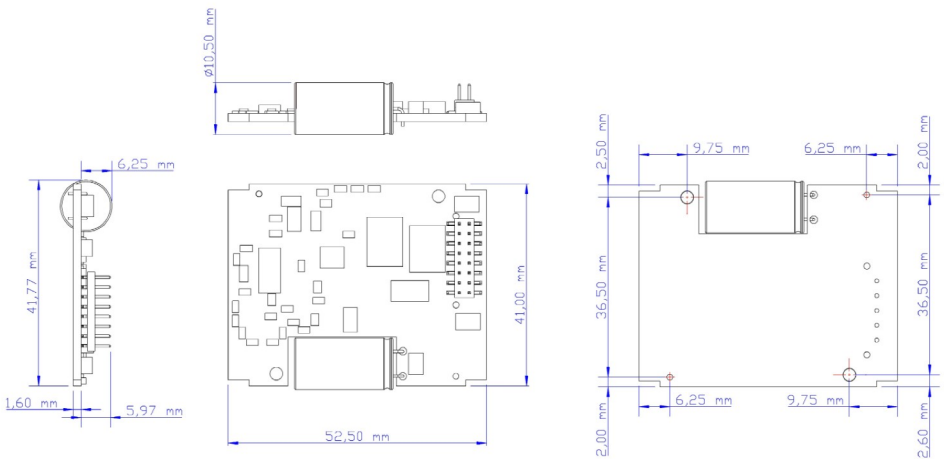
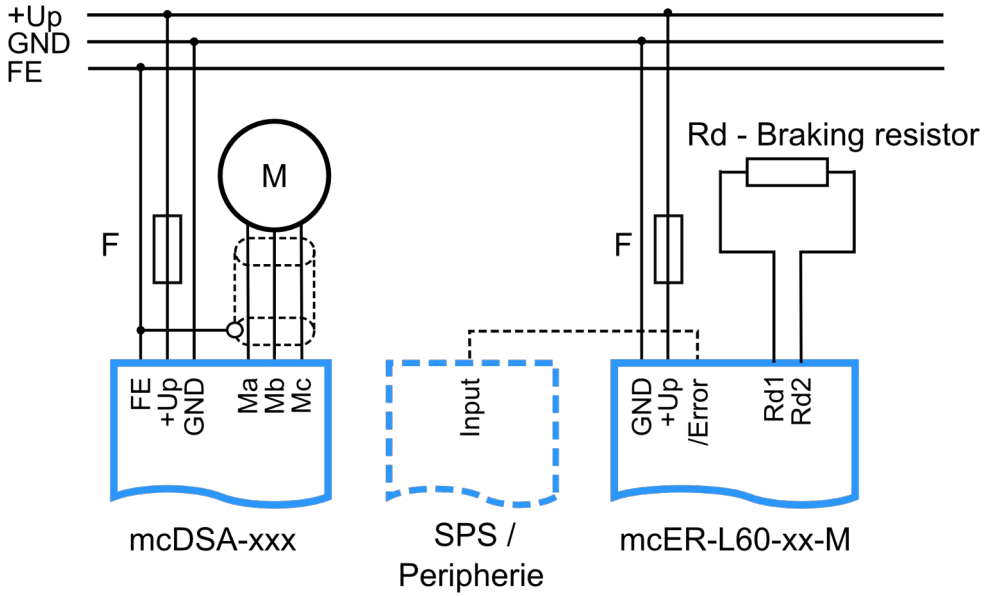
Important

Branch Circuit Protection:

listed DIVQ circuit breaker
min. 60 Vdc, max. 15 A

factory wiring terminals:

- Use 60°C/75°C copper conductors only
- X1 - AWG 22



Modul mass:

30 g